



Retto

UPVC Doors and Windows



PRODUCT CATALOG

2023

PT KARUNIA PRATAMA DISTRIBUSI





RETTO INDONESIA

Retto is a Brand Upvc Profile that is used for door and window applications, where the Retto Upvc Profile is able to reduce noise from outside and is anti-UV. Retto Upvc is very convenient to use for applications in private homes, villas, hotels, houses, factories, apartments, and others. Retto Upvc provides a 15 year warranty to ensure it does not crack or deform. Currently Retto Upvc has spread its products throughout Indonesia such as Jakarta, Bandung, Semarang, Surabaya, Bali, Makassar, Medan, Aceh and other cities.

VISION

Become a Brand Upvc Profile that is comfortable for its residents.

MISSION

Maintain stable product quality, maintain product availability, and continue to distribute products throughout Indonesia so that all Indonesian residents can use comfortable products.



TABLE OF CONTENT

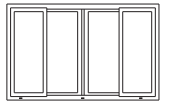
RETTO UPVC WHITE PROFILE

60 Casement Doors & Windows	1
65 Casement Doors & Windows	6
70 Casement Doors & Windows	8
Toilet Eco Casement Doors	10
60 Sliding Doors & Windows	11
80 Sliding Doors & Windows	16
88 Sliding Doors & Windows	21
92 Sliding Doors & Windows	24
95 Sliding Doors & Windows	28
105 Sliding Doors & Windows	29
108 Sliding Doors & Windows	32
175 Sliding Doors & Windows	33
Accessories Profile	34

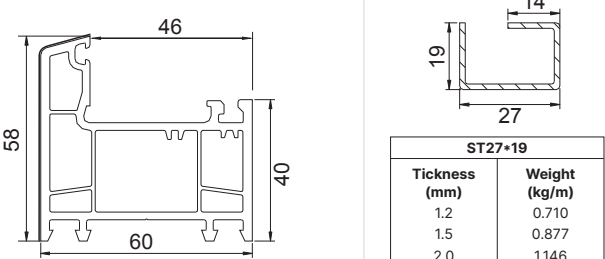


Retto
UPVC Doors and Windows



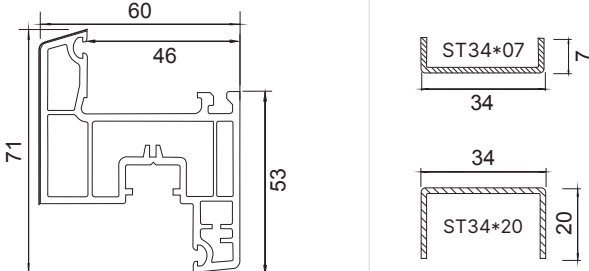


CODE
RC60-1E WEIGHT 0,965 kg/m



ST27*19	
Tickness (mm)	Weight (kg/m)
1.2	0.710
1.5	0.877
2.0	1.146

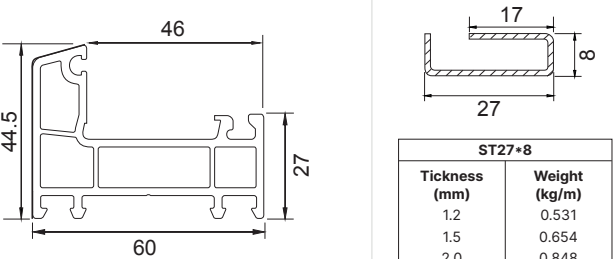
CODE
RC60-2E WEIGHT 1,130 kg/m



ST34*07	
Tickness (mm)	Weight (kg/m)
1.2	0.430
1.5	0.530
2.0	0.691

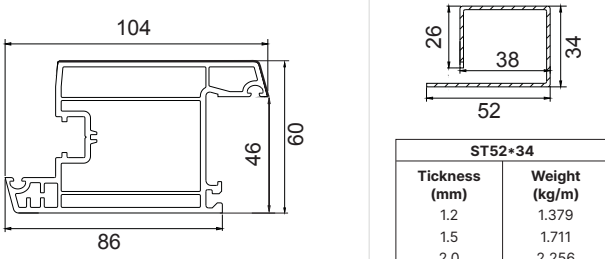
ST34*20	
Tickness (mm)	Weight (kg/m)
1.2	0.675
1.5	0.836
2.0	1.099

CODE
RC60-3E WEIGHT 0,730 kg/m



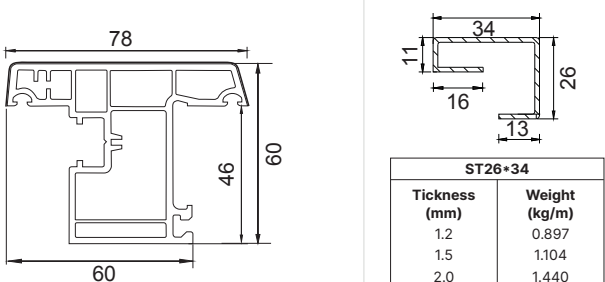
ST27*8	
Tickness (mm)	Weight (kg/m)
1.2	0.531
1.5	0.654
2.0	0.848

CODE
RC60-4E WEIGHT 1,380 kg/m



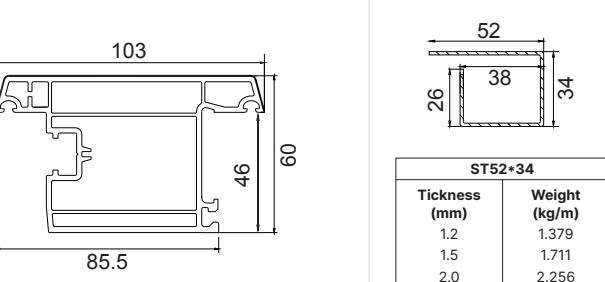
ST52*34	
Tickness (mm)	Weight (kg/m)
1.2	1.379
1.5	1.711
2.0	2.256

CODE
RC60-5E WEIGHT 1,200 kg/m



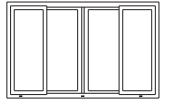
ST26*34	
Tickness (mm)	Weight (kg/m)
1.2	0.897
1.5	1.104
2.0	1.440

CODE
RC60-6E WEIGHT 1,420 kg/m



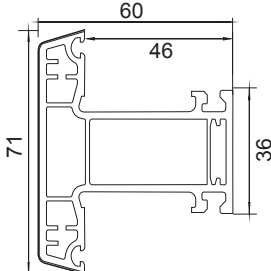
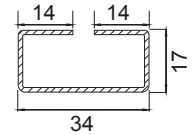
ST52*34	
Tickness (mm)	Weight (kg/m)
1.2	1.379
1.5	1.711
2.0	2.256





CODE
RC60-7E

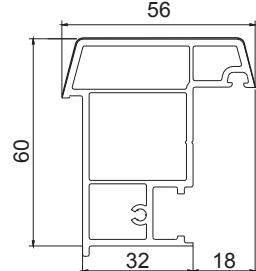
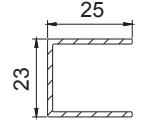
WEIGHT 1,070 kg/m

ST34*17	
Tickness (mm)	Weight (kg/m)
1.2	0.859
1.5	1.060
2.0	1.382

CODE
RC60-8E

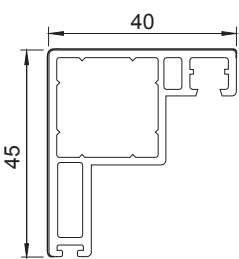
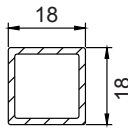
WEIGHT 0,848 kg/m

ST23*25	
Tickness (mm)	Weight (kg/m)
1.2	0.660
1.5	0.820
2.0	1.080

CODE
RC60-9E

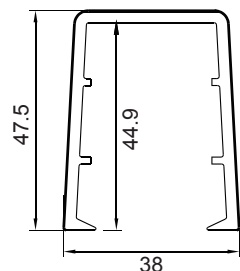
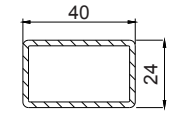
WEIGHT 0,455 kg/m

ST18*18	
Tickness (mm)	Weight (kg/m)
1.2	0.633
1.5	0.777
2.0	1.005

CODE
RC60-10E

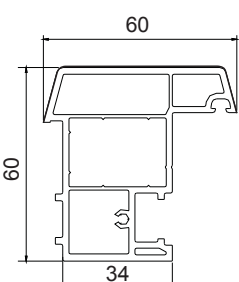
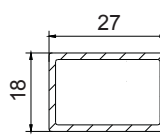
WEIGHT 0,550 kg/m

ST40*24	
Tickness (mm)	Weight (kg/m)
1.2	1.154
1.5	0.437
2.0	1.853

CODE
RC60-11E

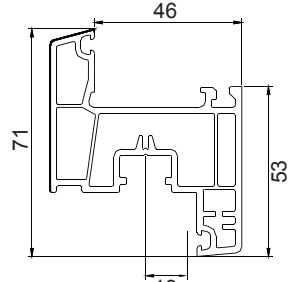
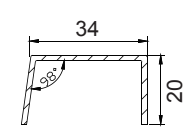
WEIGHT 0,932 kg/m

ST27*18	
Tickness (mm)	Weight (kg/m)
1.2	0.800
1.5	0.990
2.0	1.290

CODE
RC60-12E

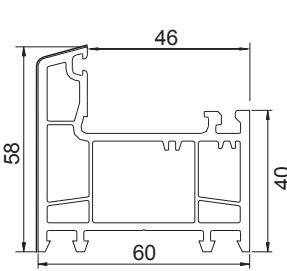
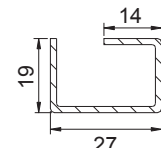
WEIGHT 1,071 kg/m

ST34*20	
Tickness (mm)	Weight (kg/m)
1.2	0.672
1.5	0.832
2.0	1.099

CODE
RC60-1B

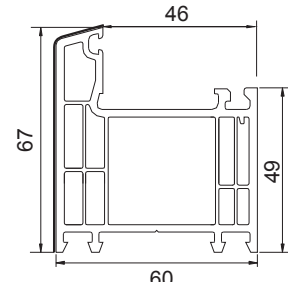
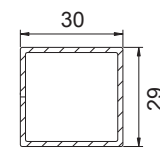
WEIGHT 1,102 kg/m

ST27*19	
Tickness (mm)	Weight (kg/m)
1.2	0.710
1.5	0.877
2.0	1.146

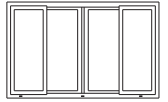
CODE
RC60-2B

WEIGHT 1,284 kg/m

ST30*29	
Tickness (mm)	Weight (kg/m)
1.2	1.066
1.5	1.319
2.0	1.727





CODE
RC60-1A

WEIGHT 1,353 kg/m

ST30*29	
Tickness (mm)	Weight (kg/m)
1.2	1.066
1.5	1.319
2.0	1.727

CODE
RC60-2A

WEIGHT 1,323 kg/m

ST26*15	
Tickness (mm)	Weight (kg/m)
1.2	0.690
1.5	0.844
2.0	1.093

CODE
RC60-3P-A1

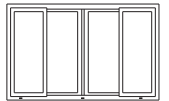
WEIGHT 1,719 kg/m

ST52*34	
Tickness (mm)	Weight (kg/m)
1.2	1.379
1.5	1.711
2.0	2.256

CODE
RC60-4P

WEIGHT 1,777 kg/m

ST52*34	
Tickness (mm)	Weight (kg/m)
1.2	1.379
1.5	1.711
2.0	2.256



CODE
RC60-1P WEIGHT 0,688 kg/m

CODE
RC60-2P WEIGHT 0,638 kg/m

CODE
RA60-1 WEIGHT 0,353 kg/m

CODE
RC60-2F WEIGHT 0,165 kg/m

CODE
RA60-3 WEIGHT 0,287 kg/m

CODE
RA60-4 WEIGHT 0,060 kg/m

CODE
RA60-5 WEIGHT 0,260 kg/m

CODE
RA60-5 R/L WEIGHT 0,260 kg/m

CODE
RC60-6F WEIGHT 0,260 kg/m

CODE
RC60-1GB WEIGHT 0,274 kg/m

CODE
RC60-2GB WEIGHT 0,186 kg/m

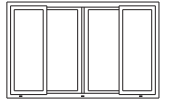
CODE
RC60-3GB WEIGHT 0,149 kg/m

CODE
RC60-4GB WEIGHT 0,182 kg/m

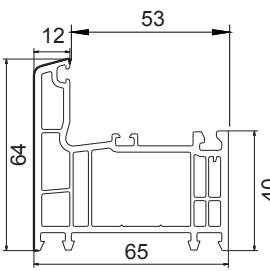
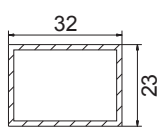
CODE
RC60-5GB WEIGHT 0,177 kg/m

CODE
RC60-6GB WEIGHT 0,270 kg/m



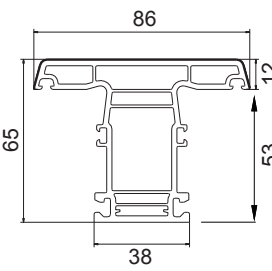
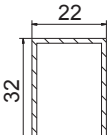


CODE
RC65-1B WEIGHT 1,235 kg/m

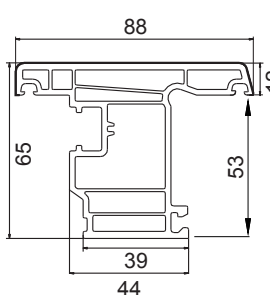
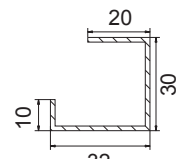
ST32*23	
Tickness (mm)	Weight (kg/m)
1.5	1.225
2.0	1.601

CODE
RC65-2B WEIGHT 1,432 kg/m

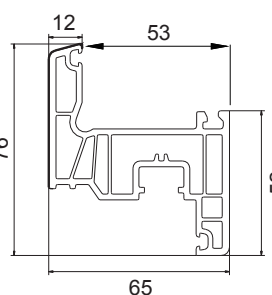
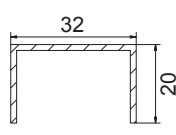
ST22*32	
Tickness (mm)	Weight (kg/m)
1.5	1.201
2.0	1.570

CODE
RC65-3B WEIGHT 1,497 kg/m

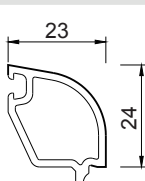
ST32*30	
Tickness (mm)	Weight (kg/m)
1.5	1.030
2.0	1.350

CODE
RC65-4B WEIGHT 1,360 kg/m

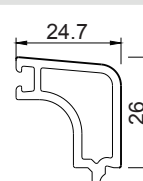



ST32*20	
Tickness (mm)	Weight (kg/m)
1.5	0.812
2.0	1.068

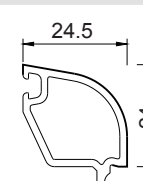
CODE
RC65-1GB WEIGHT 0,230 kg/m



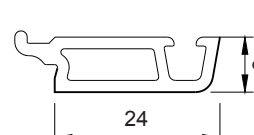
CODE
RC65-2GB WEIGHT 0,282 kg/m



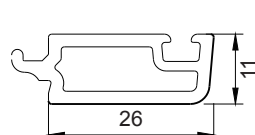
CODE
RC65-3GB WEIGHT 0,232 kg/m



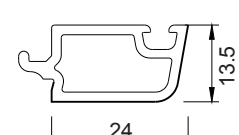
CODE
RC65-4GB WEIGHT 0,173 kg/m

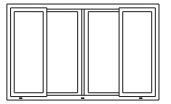


CODE
RC65-5GB WEIGHT 0,230 kg/m



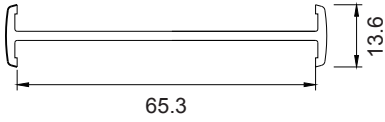
CODE
RC65-6GB WEIGHT 0,199 kg/m





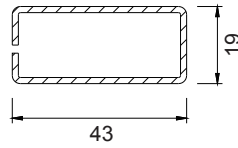
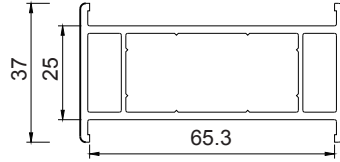
CODE
RC65-1C

WEIGHT 0,282 kg/m



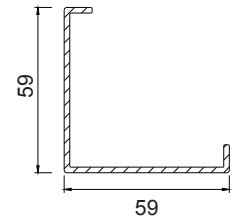
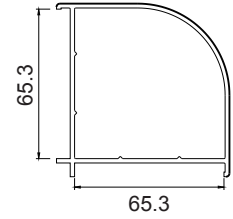
CODE
RC65-2C

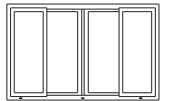
WEIGHT 0,703 kg/m



CODE
RC65-3C

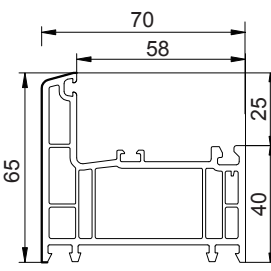
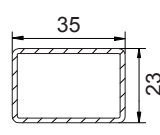
WEIGHT 0,877 kg/m





CODE
RC70-1B

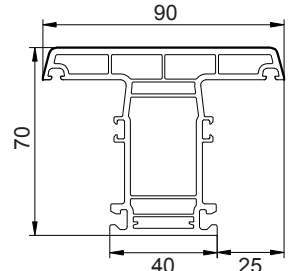
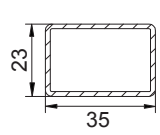
WEIGHT 1,301 kg/m

ST35*23	
Tickness (mm)	Weight (kg/m)
1.5	1.280
2.0	1.680

CODE
RC70-2B

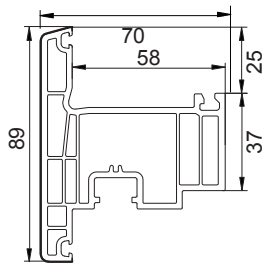
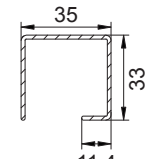
WEIGHT 1,499 kg/m

ST35*23	
Tickness (mm)	Weight (kg/m)
1.5	1.280
2.0	1.680

CODE
RC70-3B

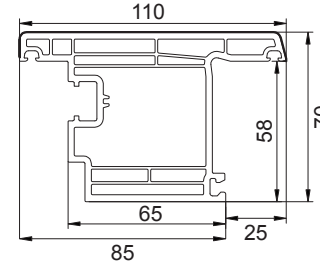
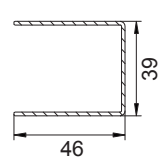
WEIGHT 1,603 kg/m

ST35*33	
Tickness (mm)	Weight (kg/m)
1.5	1.260
2.0	1.660

CODE
RC70-4A

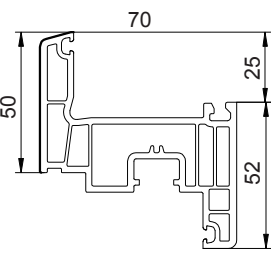
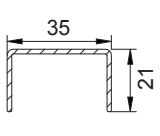
WEIGHT 2,045 kg/m

ST39*46	
Tickness (mm)	Weight (kg/m)
1.5	1.500
2.0	1.990

CODE
RC70-5B

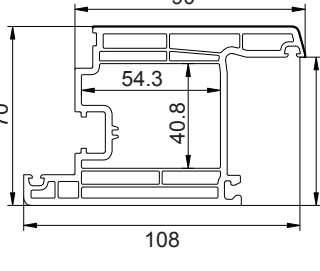
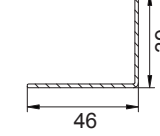
WEIGHT 1,394 kg/m

ST35*21	
Tickness (mm)	Weight (kg/m)
1.5	0.860
2.0	1.140

CODE
RC70-6A

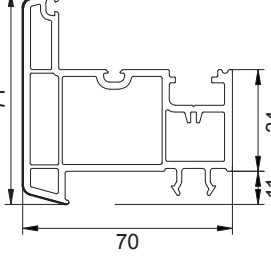
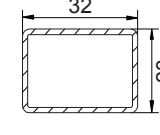
WEIGHT 2,084 kg/m

ST39*46	
Tickness (mm)	Weight (kg/m)
1.5	1.500
2.0	1.990

CODE
RC70-7B

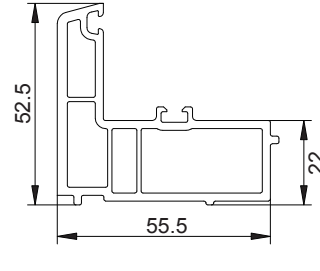
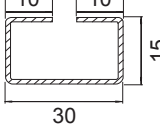
WEIGHT 1,279 kg/m

ST32*23	
Tickness (mm)	Weight (kg/m)
1.5	1.180
2.0	1.550

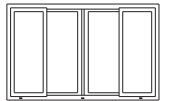
CODE
RC70-8B

WEIGHT 0,792 kg/m

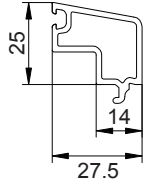



ST35*23	
Tickness (mm)	Weight (kg/m)
1.5	0.900
2.0	1.170

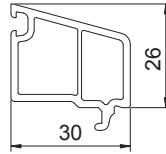




CODE
RC70-1GB WEIGHT 0,265 kg/m

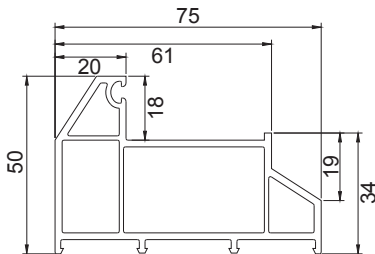


CODE
RC70-2GB WEIGHT 0,305 kg/m

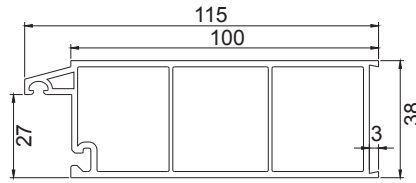




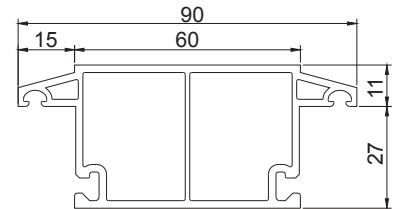
CODE
RE001 WEIGHT 0,708 kg/m



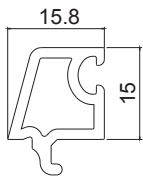
CODE
RE002 WEIGHT 0,907 kg/m



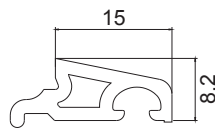
CODE
RE003 WEIGHT 0,754 kg/m

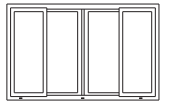


CODE
RE001GB WEIGHT 0,157 kg/m



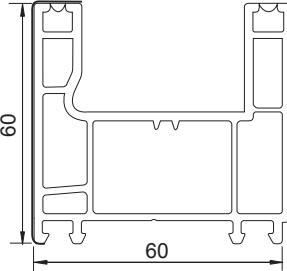
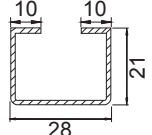
CODE
RE002GB WEIGHT 0,110 kg/m





CODE
RS60-1E

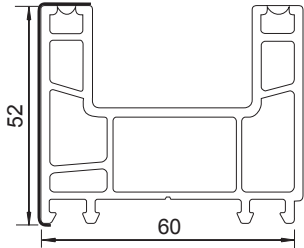
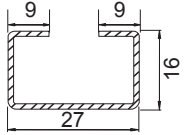
WEIGHT 1,050 kg/m

ST28*21	
Tickness (mm)	Weight (kg/m)
1.2	0.803
1.5	0.986
2.0	1.281

CODE
RS60-2E

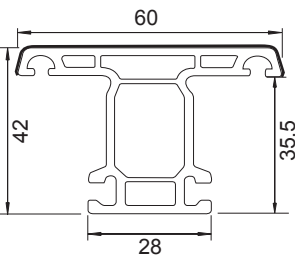
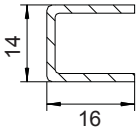
WEIGHT 0,990 kg/m

ST27*16	
Tickness (mm)	Weight (kg/m)
1.2	0.680
1.5	0.833
2.0	1.077

CODE
RS60-3E

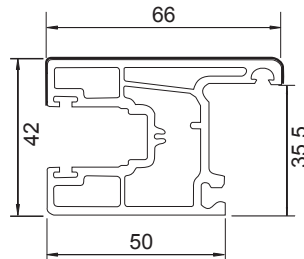
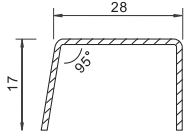
WEIGHT 0,630 kg/m

ST14*16	
Tickness (mm)	Weight (kg/m)
1.2	0.411
1.5	0.505
2.0	0.656

CODE
RS60-4E

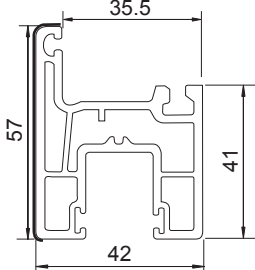
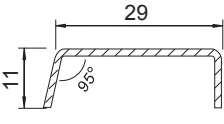
WEIGHT 0,880 kg/m

ST27*16	
Tickness (mm)	Weight (kg/m)
1.2	0.718
1.5	0.880
2.0	1.140

CODE
RS60-5E

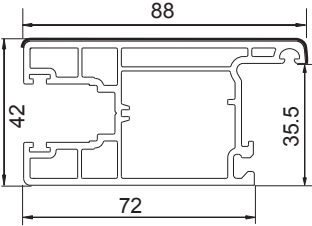
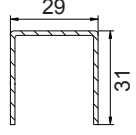
WEIGHT 0,775 kg/m

ST29*11	
Tickness (mm)	Weight (kg/m)
1.2	0.459
1.5	0.565
2.0	0.737

CODE
RS60-6E

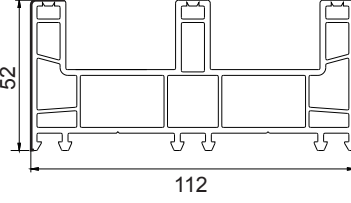
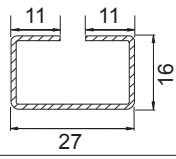
WEIGHT 1,110 kg/m

ST29*31	
Tickness (mm)	Weight (kg/m)
1.2	0.835
1.5	1.034
2.0	1.363

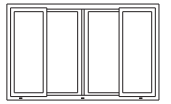
CODE
RS112E

WEIGHT 1,600 kg/m

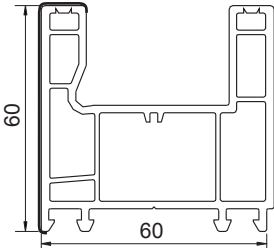
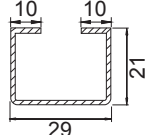
ST27*16	
Tickness (mm)	Weight (kg/m)
1.2	0.718
1.5	0.880
2.0	1.140





CODE
RS60-1S

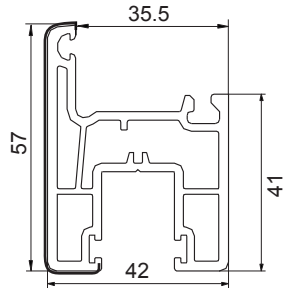
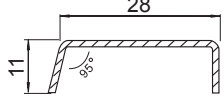
WEIGHT 1,165 kg/m

ST29*21	
Tickness (mm)	Weight (kg/m)
1.2	0.803
1.5	0.986
2.0	1.281

CODE
RS60-5S

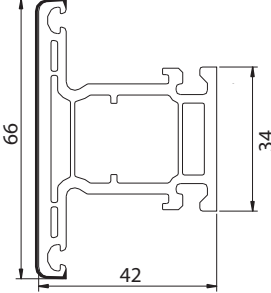
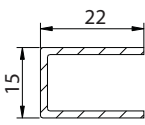
WEIGHT 0,846 kg/m

ST28*11	
Tickness (mm)	Weight (kg/m)
1.2	0.449
1.5	0.553
2.0	0.721

CODE
RS60-3A

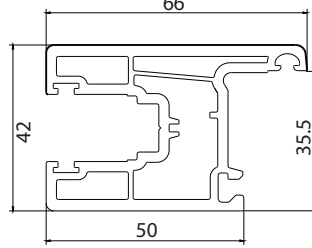
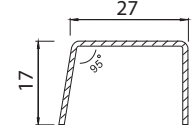
WEIGHT 0,953 kg/m

ST15*22	
Tickness (mm)	Weight (kg/m)
1.2	0.530
1.5	0.660
2.0	0.860

CODE
RS60-4A

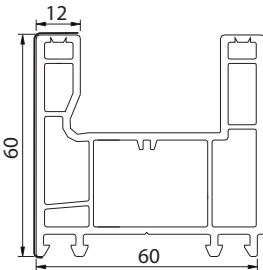
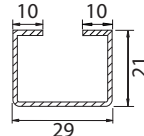
WEIGHT 1,183 kg/m

ST27*17	
Tickness (mm)	Weight (kg/m)
1.2	0.552
1.5	0.682
2.0	0.894

CODE
RS60-1B

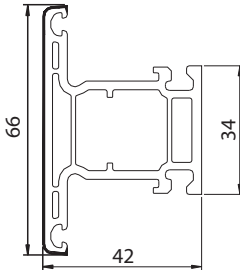
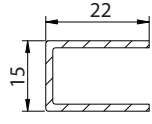
WEIGHT 1,293 kg/m

ST29*21	
Tickness (mm)	Weight (kg/m)
1.2	0.803
1.5	0.986
2.0	1.281

CODE
RS60-3B

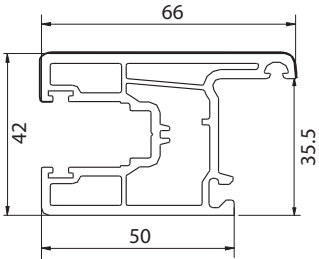
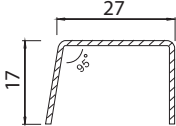
WEIGHT 0,919 kg/m

ST15*22	
Tickness (mm)	Weight (kg/m)
1.2	0.530
1.5	0.660
2.0	0.860

CODE
RS60-4B

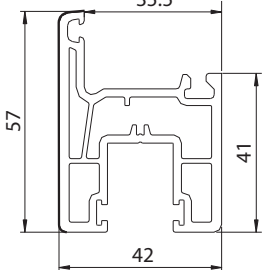
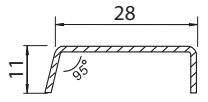
WEIGHT 1,066 kg/m

ST27*17	
Tickness (mm)	Weight (kg/m)
1.2	0.552
1.5	0.682
2.0	0.894

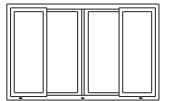
CODE
RS60-5B

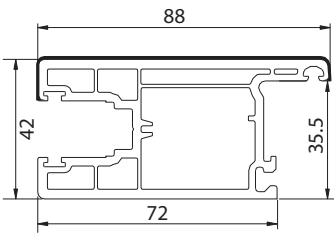
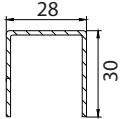
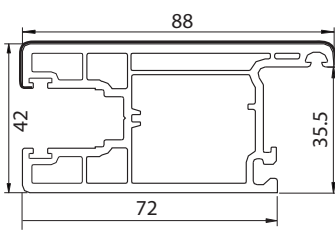
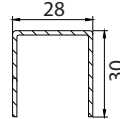
WEIGHT 0,935 kg/m

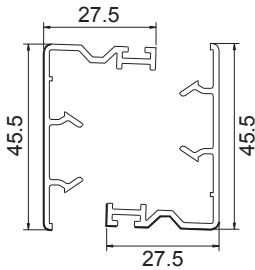
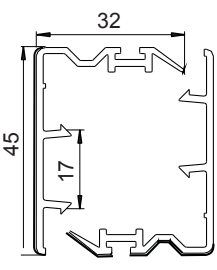
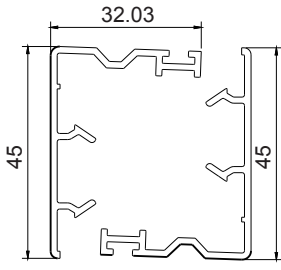



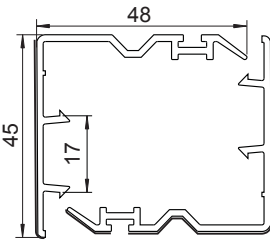
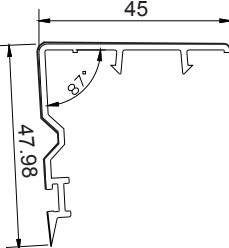
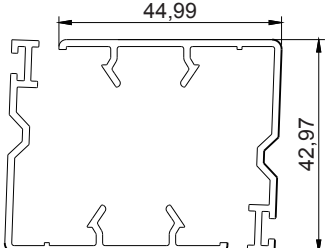
ST28*11	
Tickness (mm)	Weight (kg/m)
1.2	0.449
1.5	0.553
2.0	0.721





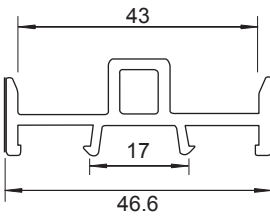
<p>CODE RS60-6A</p> <p>WEIGHT 1,480 kg/m</p>   <table border="1"> <thead> <tr> <th colspan="2">ST28*30</th> </tr> <tr> <th>Tickness (mm)</th> <th>Weight (kg/m)</th> </tr> </thead> <tbody> <tr> <td>1.2</td> <td>0.806</td> </tr> <tr> <td>1.5</td> <td>0.999</td> </tr> <tr> <td>2.0</td> <td>1.316</td> </tr> </tbody> </table>	ST28*30		Tickness (mm)	Weight (kg/m)	1.2	0.806	1.5	0.999	2.0	1.316	<p>CODE RS60-6B</p> <p>WEIGHT 0,919 kg/m</p>   <table border="1"> <thead> <tr> <th colspan="2">ST28*30</th> </tr> <tr> <th>Tickness (mm)</th> <th>Weight (kg/m)</th> </tr> </thead> <tbody> <tr> <td>1.2</td> <td>0.806</td> </tr> <tr> <td>1.5</td> <td>0.999</td> </tr> <tr> <td>2.0</td> <td>1.316</td> </tr> </tbody> </table>	ST28*30		Tickness (mm)	Weight (kg/m)	1.2	0.806	1.5	0.999	2.0	1.316
ST28*30																					
Tickness (mm)	Weight (kg/m)																				
1.2	0.806																				
1.5	0.999																				
2.0	1.316																				
ST28*30																					
Tickness (mm)	Weight (kg/m)																				
1.2	0.806																				
1.5	0.999																				
2.0	1.316																				

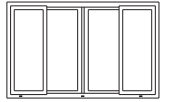
<p>CODE RS60-1CV</p> <p>WEIGHT 0,215 kg/m</p> 	<p>CODE RS60-2CV</p> <p>WEIGHT 0,210 kg/m</p> 	<p>CODE RS60-3CV</p> <p>WEIGHT 0,231 kg/m</p> 
---	---	---

<p>CODE RS60-4CV</p> <p>WEIGHT 0,258 kg/m</p> 	<p>CODE RS60-5CV</p> <p>WEIGHT 0,262 kg/m</p> 	<p>CODE RS60-6CV</p> <p>WEIGHT 0,252 kg/m</p> 
--	--	--

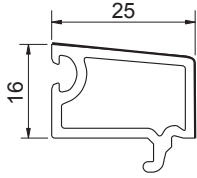
CODE
RS60-7CV

WEIGHT 0,300 kg/m

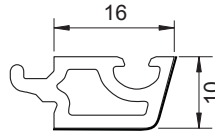


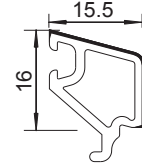
CODE
RS60-1GB WEIGHT 0,220 kg/m



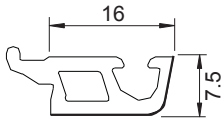
CODE
RS60-2GB WEIGHT 0,134 kg/m



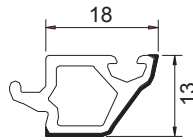
CODE
RS60-3GB WEIGHT 0,148 kg/m

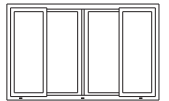


CODE
RS60-4GB WEIGHT 0,121 kg/m

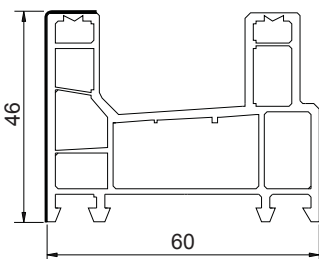
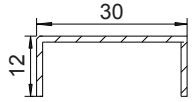


CODE
RS60-5GB WEIGHT 0,150 kg/m



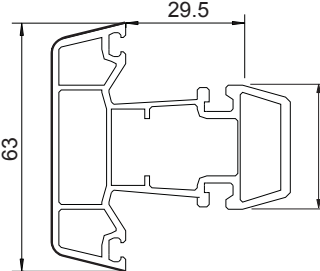
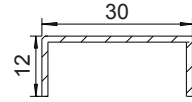


CODE
RS60-1CF WEIGHT 0,909 kg/m

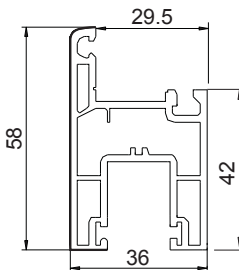
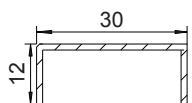
ST12*30	
Tickness (mm)	Weight (kg/m)
1.2	0.512
1.5	0.633
2.0	0.830

CODE
RS60-2CF WEIGHT 0,940 kg/m

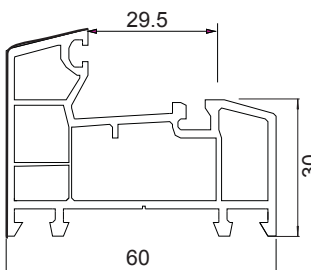
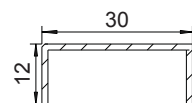
ST12*30	
Tickness (mm)	Weight (kg/m)
1.2	0.512
1.5	0.633
2.0	0.830

CODE
RS60-3CF WEIGHT 0,716 kg/m

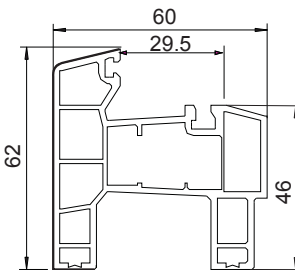
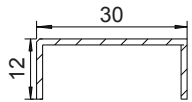
ST12*30	
Tickness (mm)	Weight (kg/m)
1.2	0.512
1.5	0.633
2.0	0.830

CODE
RS60-4CF WEIGHT 0,815 kg/m

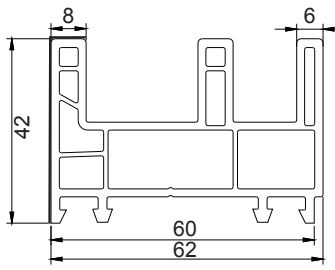
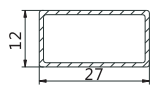
ST12*30	
Tickness (mm)	Weight (kg/m)
1.2	0.512
1.5	0.633
2.0	0.830

CODE
RS60-5CF WEIGHT 1,039 kg/m

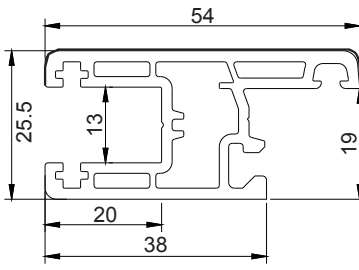
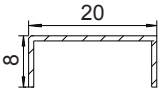
ST12*30	
Tickness (mm)	Weight (kg/m)
1.2	0.512
1.5	0.633
2.0	0.830

CODE
RS60-1Z WEIGHT 0,928 kg/m

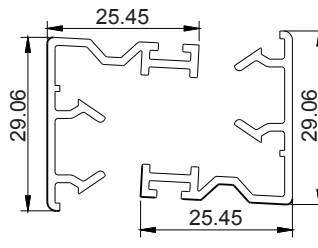
ST27*12	
Tickness (mm)	Weight (kg/m)
1.2	0.689
1.5	0.848
2.0	1.099

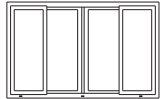
CODE
RS60-2Z WEIGHT 0,615 kg/m

ST20*8	
Tickness (mm)	Weight (kg/m)
1.2	0.316
1.5	0.389
2.0	0.502

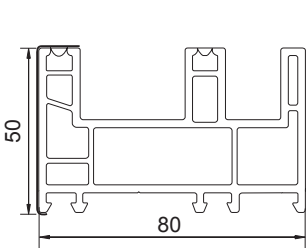
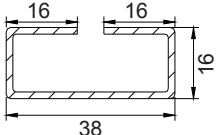
CODE
RS60-1ZCV WEIGHT 0,165 kg/m



CODE
RS80-1E

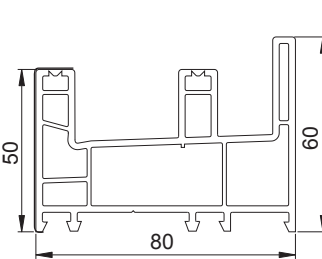
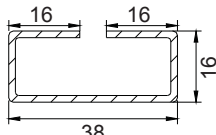
WEIGHT 1,192 kg/m

ST38*16	
Tickness (mm)	Weight (kg/m)
1.2	0.916
1.5	1.127
2.0	1.469

CODE
RS80-2E

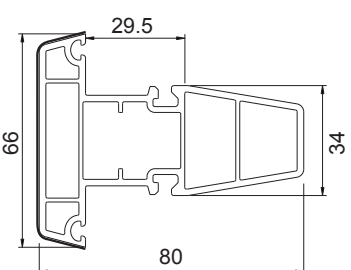
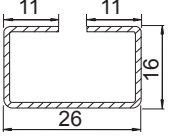
WEIGHT 1,272 kg/m

ST38*16	
Tickness (mm)	Weight (kg/m)
1.2	0.916
1.5	1.127
2.0	1.469

CODE
RS80-3E

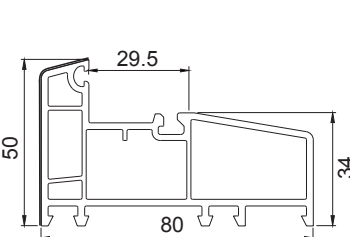
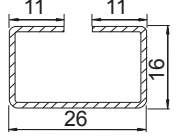
WEIGHT 0,996 kg/m

ST26*16	
Tickness (mm)	Weight (kg/m)
1.2	0.708
1.5	0.868
2.0	1.124

CODE
RS80-4E

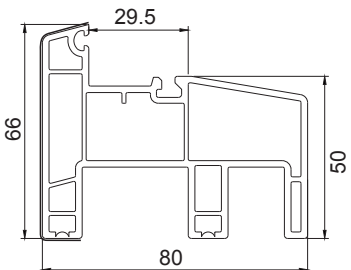
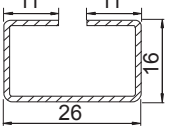
WEIGHT 0,932 kg/m

ST26*16	
Tickness (mm)	Weight (kg/m)
1.2	0.708
1.5	0.868
2.0	1.124

CODE
RS80-5E

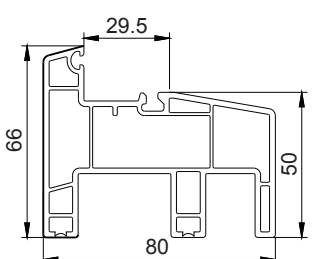
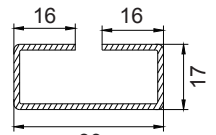
WEIGHT 1,240 kg/m

ST26*16	
Tickness (mm)	Weight (kg/m)
1.2	0.708
1.5	0.868
2.0	1.124

CODE
RS80-6E

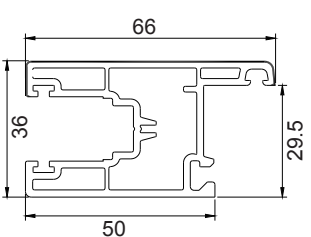
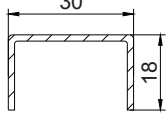
WEIGHT 1,265 kg/m

ST39*17	
Tickness (mm)	Weight (kg/m)
1.5	1.160
2.0	1.520

CODE
RS80-7E

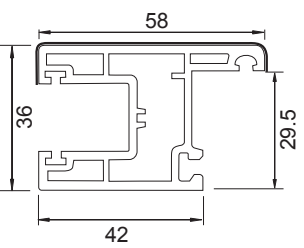
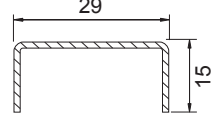
WEIGHT 0,819 kg/m

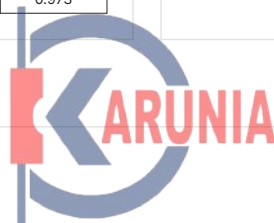
ST30*18	
Tickness (mm)	Weight (kg/m)
1.2	0.596
1.5	0.737
2.0	0.973

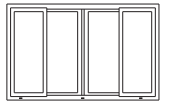
CODE
RS80-8E

WEIGHT 0,716 kg/m

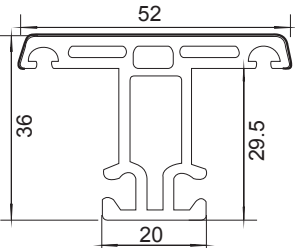
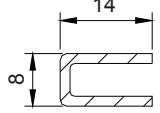
ST29*15	
Tickness (mm)	Weight (kg/m)
1.2	0.533
1.5	0.658
2.0	0.860





CODE
RS80-9E

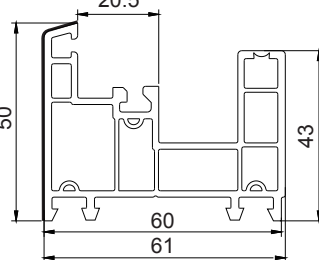
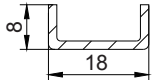
WEIGHT 0,530 kg/m

ST8*14	
Tickness (mm)	Weight (kg/m)
1.2	0.317
1.5	0.387
2.0	0.499

CODE
RS80-10E

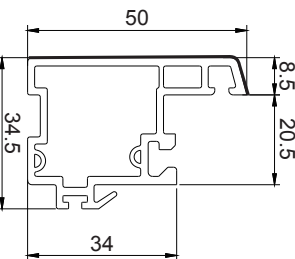
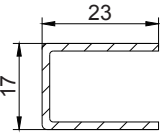
WEIGHT 0,962 kg/m

ST26*16	
Tickness (mm)	Weight (kg/m)
1.2	0.290
1.5	0.365
2.0	0.471

CODE
RS80-11E

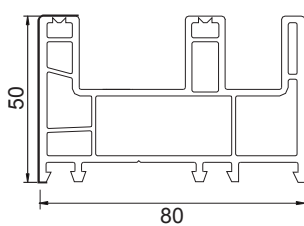
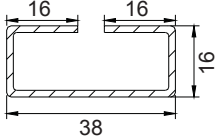
WEIGHT 0,546 kg/m

ST23*17	
Tickness (mm)	Weight (kg/m)
1.2	0.571
1.5	0.707
2.0	0.926

CODE
RS80-1S

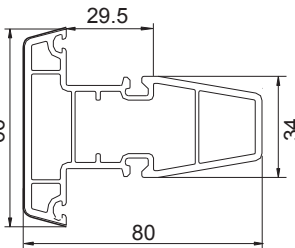
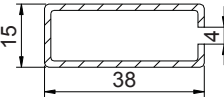
WEIGHT 1,250 kg/m

ST38*16	
Tickness (mm)	Weight (kg/m)
1.2	0.916
1.5	1.127
2.0	1.469

CODE
RS80-2S

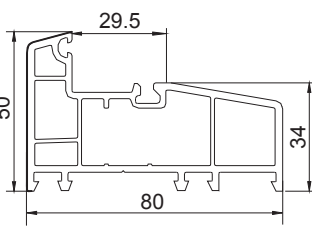
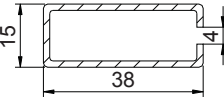
WEIGHT 1,152 kg/m

ST38*15	
Tickness (mm)	Weight (kg/m)
1.2	0.916
1.5	1.127
2.0	1.469

CODE
RS80-3S

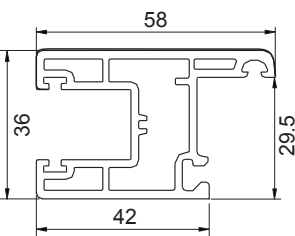
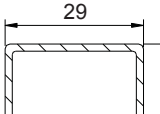
WEIGHT 1,048 kg/m

ST38*15	
Tickness (mm)	Weight (kg/m)
1.2	0.916
1.5	1.127
2.0	1.469

CODE
RS80-4S

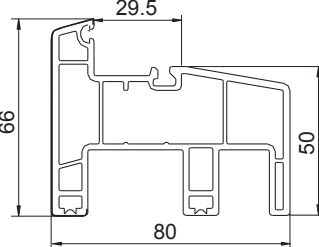
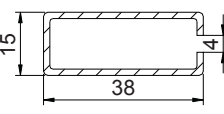
WEIGHT 0,810 kg/m

ST26*16	
Tickness (mm)	Weight (kg/m)
1.2	0.533
1.5	0.658
2.0	0.860

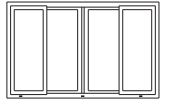
CODE
RS80-5S

WEIGHT 1,397 kg/m

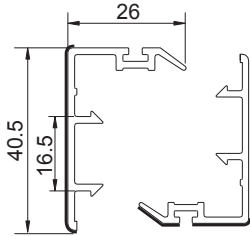



ST38*15	
Tickness (mm)	Weight (kg/m)
1.2	0.916
1.5	1.127
2.0	1.469

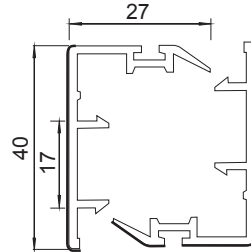




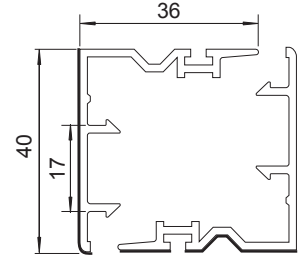
CODE
RS80-1CV WEIGHT 0,195 kg/m



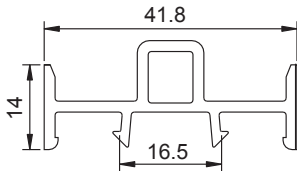
CODE
RS80-2CV WEIGHT 0,186 kg/m



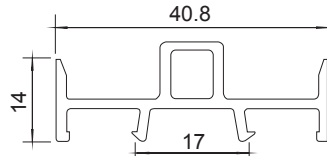
CODE
RS80-3CV WEIGHT 0,205 kg/m



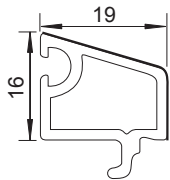
CODE
RS80-4CV WEIGHT 0,296 kg/m



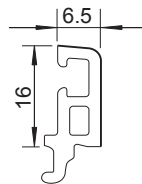
CODE
RS80-5CV WEIGHT 0,270 kg/m

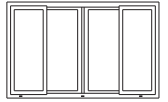


CODE
RS80-1GB WEIGHT 0,180 kg/m



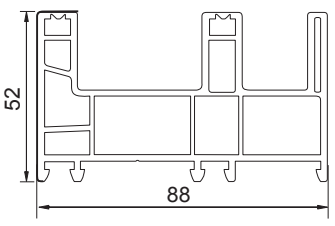
CODE
RS80-2GB WEIGHT 0,120 kg/m





CODE
RS88-1E

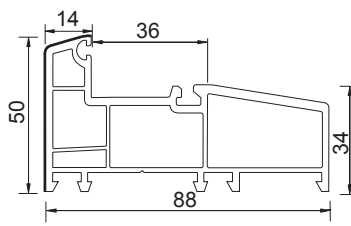
WEIGHT 1,280 kg/m



ST27*16	
Tickness (mm)	Weight (kg/m)
1.2	0.718
1.5	0.880
2.0	1.140

CODE
RS88-2E

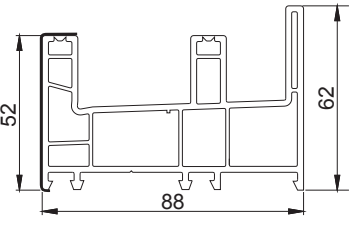
WEIGHT 0,980 kg/m



ST27*16	
Tickness (mm)	Weight (kg/m)
1.2	0.718
1.5	0.880
2.0	1.140

CODE
RS88-3E

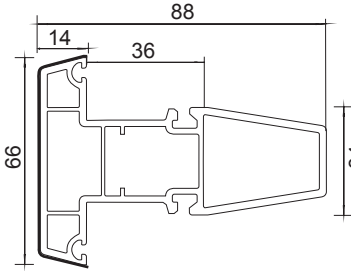
WEIGHT 1,410 kg/m



ST27*16	
Tickness (mm)	Weight (kg/m)
1.2	0.718
1.5	0.880
2.0	1.140

CODE
RS88-4E

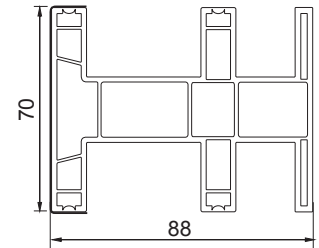
WEIGHT 1,050 kg/m



ST27*16	
Tickness (mm)	Weight (kg/m)
1.2	0.718
1.5	0.880
2.0	1.140

CODE
RS88-5E

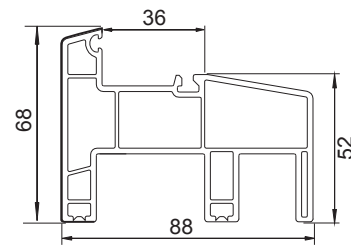
WEIGHT 1,600 kg/m



ST27*16	
Tickness (mm)	Weight (kg/m)
1.2	0.718
1.5	0.880
2.0	1.140

CODE
RS88-7E

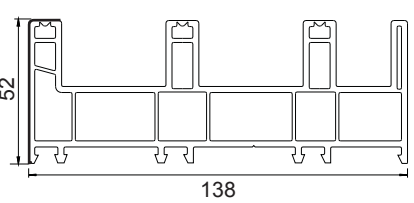
WEIGHT 1,340 kg/m



ST27*16	
Tickness (mm)	Weight (kg/m)
1.2	0.718
1.5	0.880
2.0	1.140

CODE
RS138E

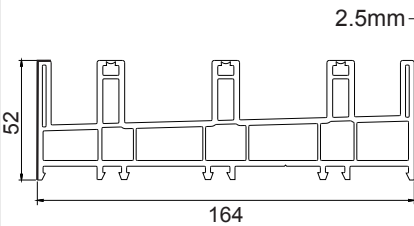
WEIGHT 2,989 kg/m



ST27*16	
Tickness (mm)	Weight (kg/m)
1.2	0.718
1.5	0.880
2.0	1.140

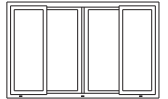
CODE
RS164E

WEIGHT 2,850 kg/m



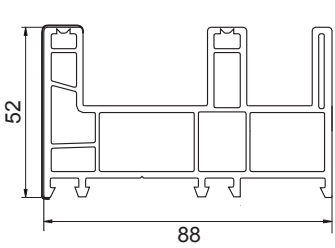
ST27*16	
Tickness (mm)	Weight (kg/m)
1.2	0.457
1.5	0.565
2.0	0.739





CODE
RS88-1S

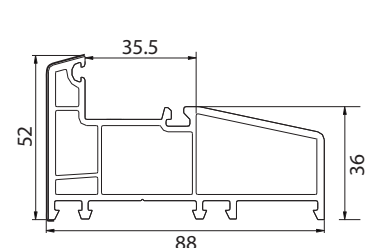
WEIGHT 1,360 kg/m



ST27*15	
Tickness (mm)	Weight (kg/m)
1.2	0.699
1.5	0.856
2.0	1.108

CODE
RS88-2S

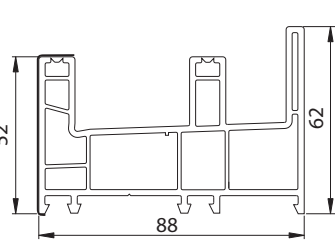
WEIGHT 1,086 kg/m



ST27*16	
Tickness (mm)	Weight (kg/m)
1.2	0.718
1.5	0.880
2.0	1.140

CODE
RS88-3S

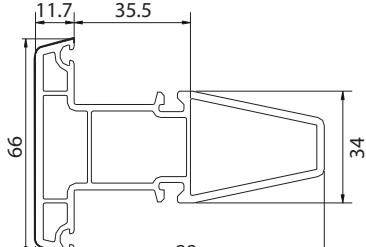
WEIGHT 1,417 kg/m



ST27*15	
Tickness (mm)	Weight (kg/m)
1.2	0.699
1.5	0.856
2.0	1.108

CODE
RS88-4S

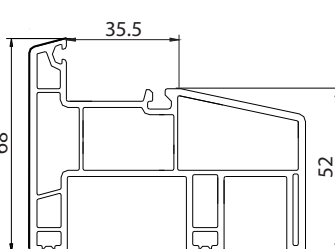
WEIGHT 1,145 kg/m



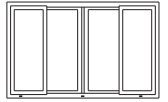
ST27*15	
Tickness (mm)	Weight (kg/m)
1.2	0.699
1.5	0.856
2.0	1.108

CODE
RS88-7S

WEIGHT 1,454 kg/m

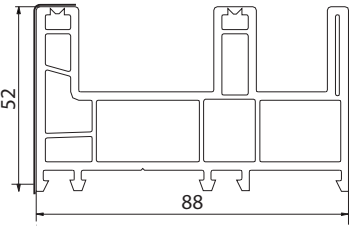
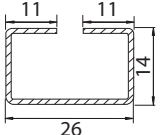


ST27*15	
Tickness (mm)	Weight (kg/m)
1.2	0.699
1.5	0.856
2.0	1.108



CODE
RS88-1A

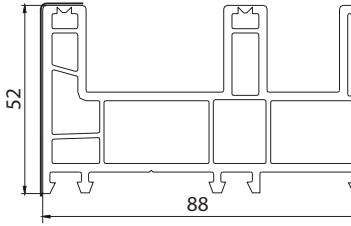
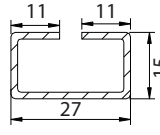
WEIGHT 1,763 kg/m

ST27*16	
Tickness (mm)	Weight (kg/m)
1.2	0.718
1.5	0.880
2.0	1.140

CODE
RS88-1B

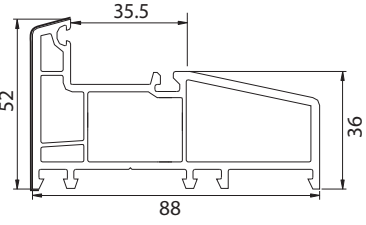
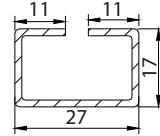
WEIGHT 0,980 kg/m

ST27*15	
Tickness (mm)	Weight (kg/m)
1.2	0.699
1.5	0.856
2.0	1.108

CODE
RS88-2A

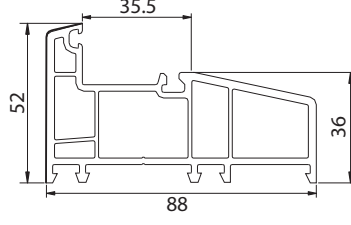
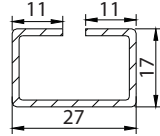
WEIGHT 1,342 kg/m

ST27*17	
Tickness (mm)	Weight (kg/m)
1.2	0.737
1.5	0.903
2.0	1.171

CODE
RS88-2B

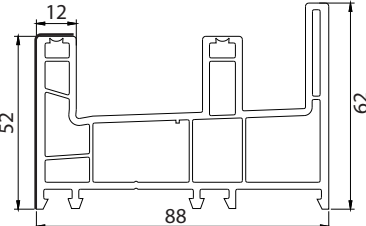
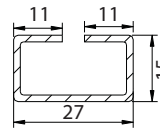
WEIGHT 1,284 kg/m

ST27*17	
Tickness (mm)	Weight (kg/m)
1.2	0.737
1.5	0.903
2.0	1.171

CODE
RS88-3B

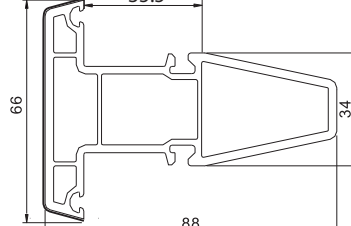
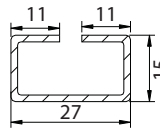
WEIGHT 1,666 kg/m

ST27*15	
Tickness (mm)	Weight (kg/m)
1.2	0.699
1.5	0.856
2.0	1.108

CODE
RS88-4A

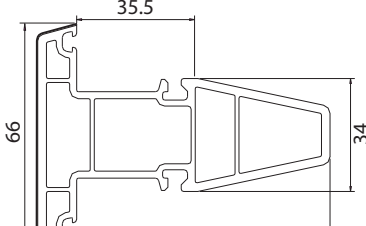
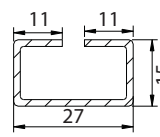
WEIGHT 1,392 kg/m

ST27*15	
Tickness (mm)	Weight (kg/m)
1.2	0.699
1.5	0.856
2.0	1.108

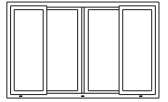
CODE
RS88-4B

WEIGHT 1,341 kg/m

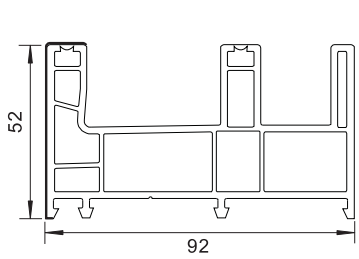
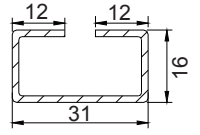
ST27*15	
Tickness (mm)	Weight (kg/m)
1.2	0.699
1.5	0.856
2.0	1.108





CODE
RS92-1S

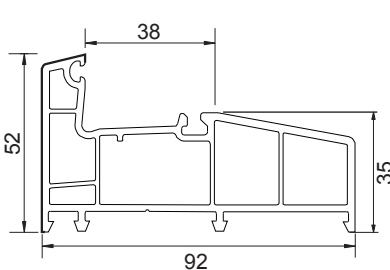
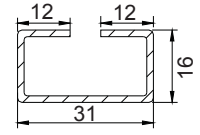
WEIGHT 1,401 kg/m

ST31*16	
Tickness (mm)	Weight (kg/m)
1.2	0.784
1.5	0.962
2.0	1.250

CODE
RS92-2S

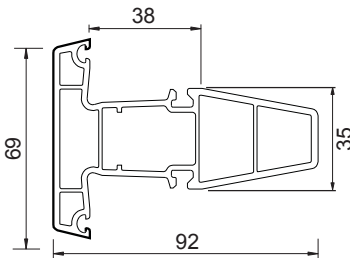
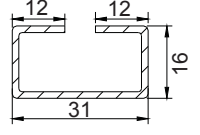
WEIGHT 1,123 kg/m

ST31*16	
Tickness (mm)	Weight (kg/m)
1.2	0.784
1.5	0.962
2.0	1.250

CODE
RS92-3S

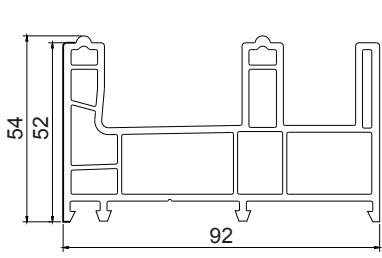
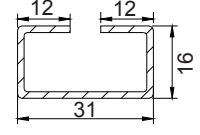
WEIGHT 1,208 kg/m

ST31*16	
Tickness (mm)	Weight (kg/m)
1.2	0.784
1.5	0.962
2.0	1.250

CODE
RS92-4S

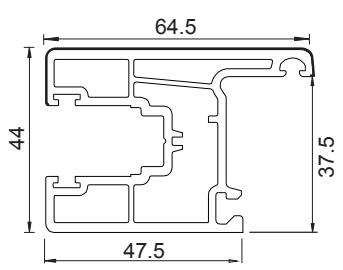
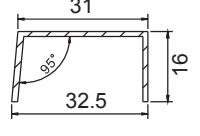
WEIGHT 1,422 kg/m

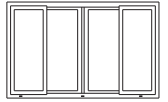
ST31*16	
Tickness (mm)	Weight (kg/m)
1.2	0.784
1.5	0.962
2.0	1.250

CODE
RS92-5S

WEIGHT 0,940 kg/m

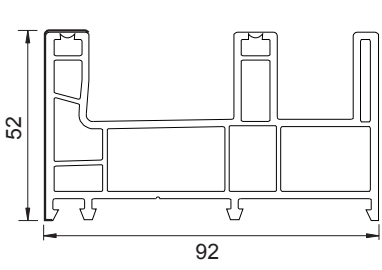



ST32.5*16	
Tickness (mm)	Weight (kg/m)
1.2	0.593
1.5	0.733
2.0	0.960



CODE
RS92-1B

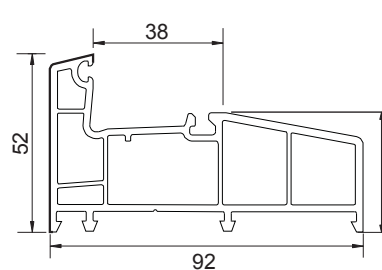
WEIGHT 1,618 kg/m



ST27*16	
Tickness (mm)	Weight (kg/m)
1.2	0.784
1.5	0.962
2.0	1.250

CODE
RS92-2B

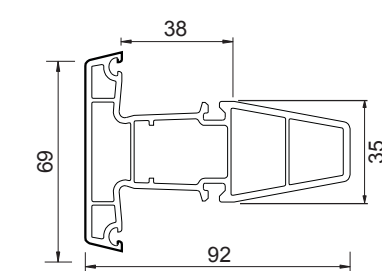
WEIGHT 1,200 kg/m



ST27*16	
Tickness (mm)	Weight (kg/m)
1.2	0.784
1.5	0.962
2.0	1.250

CODE
RS92-3B

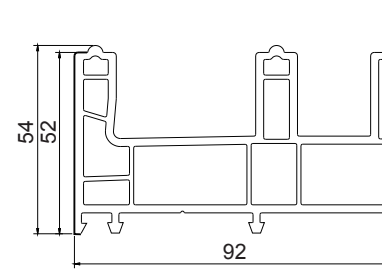
WEIGHT 1,343 kg/m



ST27*17	
Tickness (mm)	Weight (kg/m)
1.2	0.737
1.5	0.903
2.0	1.171

CODE
RS92-4B

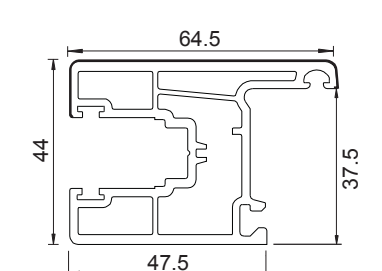
WEIGHT 1,599 kg/m



ST27*17	
Tickness (mm)	Weight (kg/m)
1.2	0.737
1.5	0.903
2.0	1.171

CODE
RS92-5B

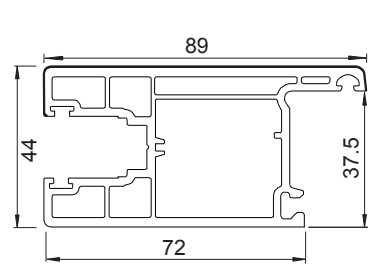
WEIGHT 1,082 kg/m



ST32.5*16	
Tickness (mm)	Weight (kg/m)
1.2	0.593
1.5	0.733
2.0	0.960

CODE
RS92-6B

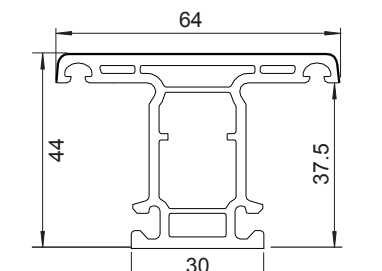
WEIGHT 1,382 kg/m



ST32.5*16	
Tickness (mm)	Weight (kg/m)
1.2	0.853
1.5	1.058
2.0	1.394

CODE
RS92-8B

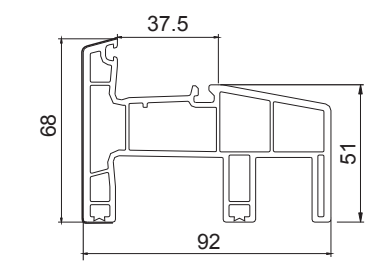
WEIGHT 0,815 kg/m



ST12*25	
Tickness (mm)	Weight (kg/m)
1.2	0.652
1.5	0.797
2.0	1.030

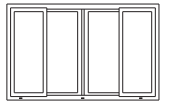
CODE
RS92-9B

WEIGHT 1,682 kg/m



ST31*16	
Tickness (mm)	Weight (kg/m)
1.2	0.784
1.5	0.962
2.0	1.250





CODE
RS92-10B WEIGHT 1,761 kg/m

ST30*14	
Tickness (mm)	Weight (kg/m)
1.2	0.727
1.5	0.895
2.0	1.162

CODE
RS92-1A WEIGHT 1,717 kg/m

ST27*16	
Tickness (mm)	Weight (kg/m)
1.2	0.784
1.5	0.962
2.0	1.250

CODE
RS92-2A WEIGHT 1,418 kg/m

ST27*16	
Tickness (mm)	Weight (kg/m)
1.2	0.784
1.5	0.962
2.0	1.250

CODE
RS92-6A WEIGHT 1,524 kg/m

ST30*30	
Tickness (mm)	Weight (kg/m)
1.2	0.825
1.5	1.024
2.0	1.350

CODE
RS92-1JB WEIGHT 1,618 kg/m

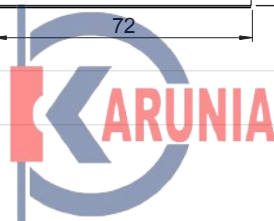
CODE
RS92-2JB WEIGHT 1,200 kg/m

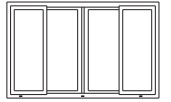
CODE
RS92-3JB WEIGHT 1,343 kg/m

CODE
RS92-4JB WEIGHT 1,082 kg/m

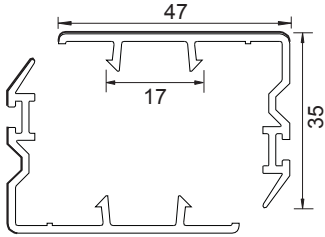
CODE
RS92-5JB WEIGHT 1,328 kg/m

CODE
RS92-6JB WEIGHT 0,867 kg/m

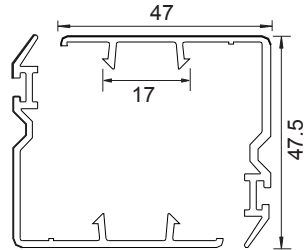




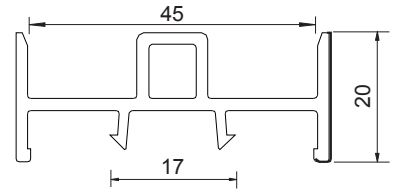
CODE
RS92-1CV WEIGHT 0,235 kg/m



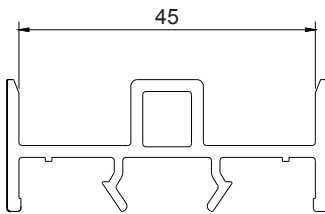
CODE
RS92-2CV WEIGHT 0,240 kg/m



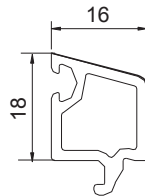
CODE
RS92-3CV WEIGHT 0,334 kg/m

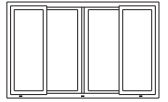


CODE
RS92-4CV WEIGHT 0,362 kg/m



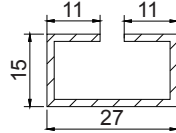
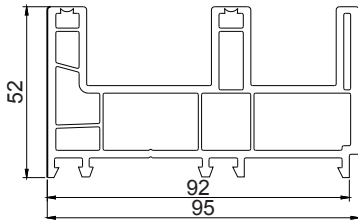
CODE
RS92-1GB WEIGHT 0,177 kg/m





CODE
RS95-1B

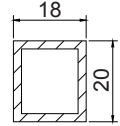
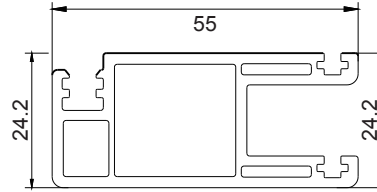
WEIGHT 1,651 kg/m



ST31*16	
Tickness (mm)	Weight (kg/m)
1.2	0.784
1.5	0.962
2.0	1.250

CODE
RS95-2

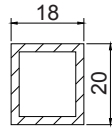
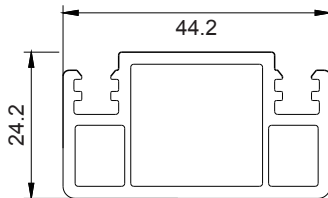
WEIGHT 0,593 kg/m



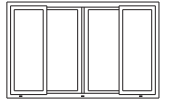
ST20*18	
Tickness (mm)	Weight (kg/m)
1.5	0.824
2.0	1.067

CODE
RS95-3

WEIGHT 0,492 kg/m

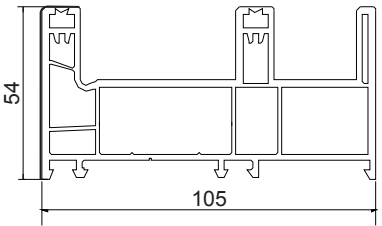
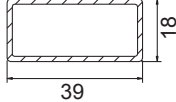


ST20*18	
Tickness (mm)	Weight (kg/m)
1.5	0.824
2.0	1.067



CODE
RS105-1S

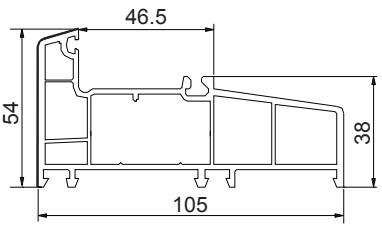
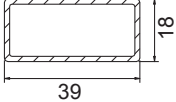
WEIGHT 1,594 kg/m

ST18*39	
Tickness (mm)	Weight (kg/m)
1.2	1.044
1.5	1.292
2.0	1.692

CODE
RS105-2S

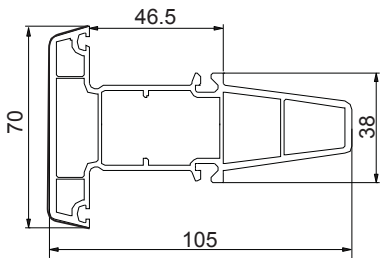
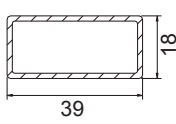
WEIGHT 1,248 kg/m

ST18*39	
Tickness (mm)	Weight (kg/m)
1.2	1.044
1.5	1.292
2.0	1.692

CODE
RS105-3S

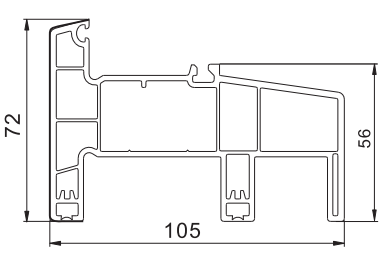
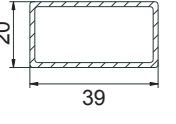
WEIGHT 1,363 kg/m

ST18*39	
Tickness (mm)	Weight (kg/m)
1.2	1.044
1.5	1.292
2.0	1.692

CODE
RS105-4S

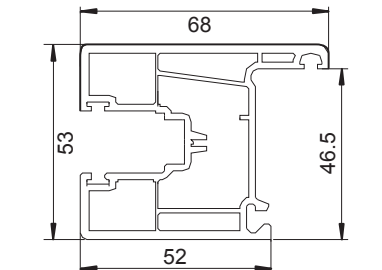
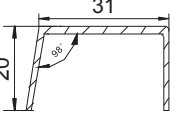
WEIGHT 1,670 kg/m

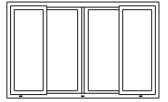
ST20*39	
Tickness (mm)	Weight (kg/m)
1.2	1.066
1.5	1.318
2.0	1.727

CODE
RS105-5S

WEIGHT 1,169 kg/m

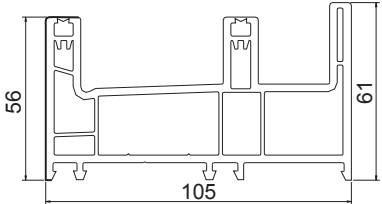
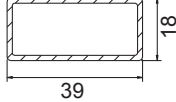



ST31*20	
Tickness (mm)	Weight (kg/m)
1.2	0.651
1.5	0.806
2.0	1.059



CODE
RS105-1A

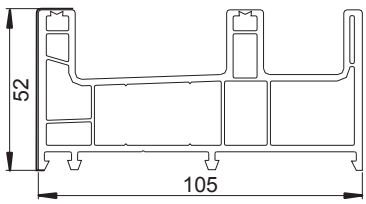
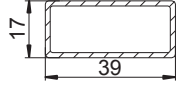
WEIGHT 2,050 kg/m

ST18*39	
Tickness (mm)	Weight (kg/m)
1.2	1.044
1.5	1.292
2.0	1.692

CODE
RS105-1B

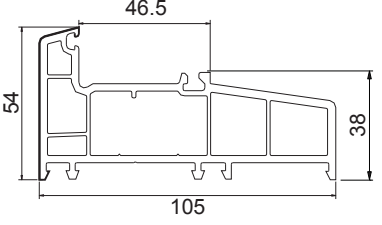
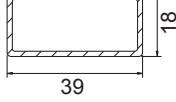
WEIGHT 1,660 kg/m

ST39*17	
Tickness (mm)	Weight (kg/m)
1.2	1.006
1.5	1.245
2.0	1.629

CODE
RS105-2A

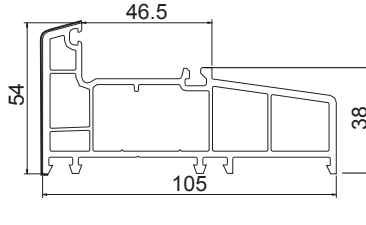
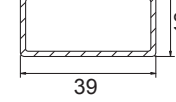
WEIGHT 1,555 kg/m

ST18*39	
Tickness (mm)	Weight (kg/m)
1.2	1.044
1.5	1.292
2.0	1.692

CODE
RS105-2B

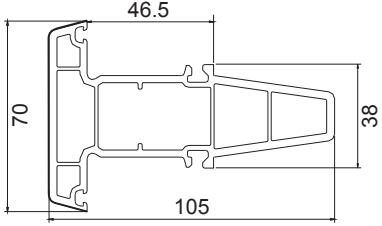
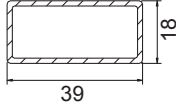
WEIGHT 1,444 kg/m

ST18*39	
Tickness (mm)	Weight (kg/m)
1.2	1.044
1.5	1.292
2.0	1.692

CODE
RS105-3A

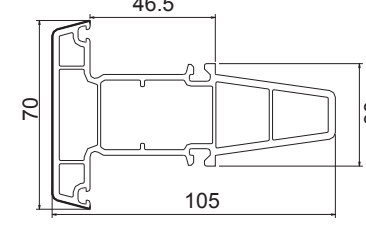
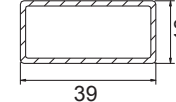
WEIGHT 1,630 kg/m

ST18*39	
Tickness (mm)	Weight (kg/m)
1.2	1.044
1.5	1.292
2.0	1.692

CODE
RS105-3B

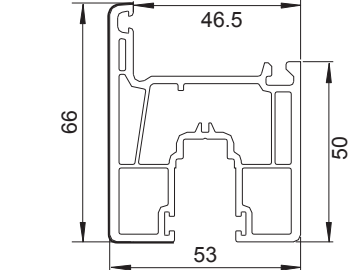
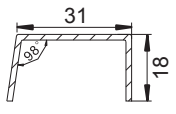
WEIGHT 1,507 kg/m

ST18*39	
Tickness (mm)	Weight (kg/m)
1.2	1.044
1.5	1.292
2.0	1.692

CODE
RS105-5B

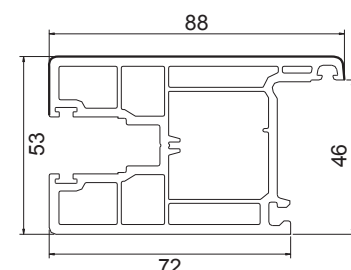
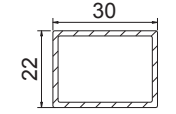
WEIGHT 1,214 kg/m

ST31*20	
Tickness (mm)	Weight (kg/m)
1.2	0.612
1.5	0.759
2.0	0.996

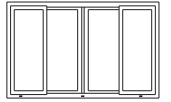
CODE
RS105-6A

WEIGHT 1,728 kg/m

ST30*22	
Tickness (mm)	Weight (kg/m)
1.2	0.934
1.5	1.154
2.0	1.507





CODE
RS105-6B WEIGHT 1,543 kg/m

ST31•25	
Tickness (mm)	Weight (kg/m)
1.2	0.892
1.5	1.108
2.0	1.461

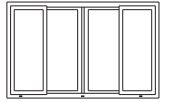
CODE
RS105-7A WEIGHT 1,209 kg/m

ST30•24	
Tickness (mm)	Weight (kg/m)
1.2	0.972
1.5	1.201
2.0	1.570

CODE
RS105-1CV WEIGHT 0,259 kg/m

CODE
RS105-2CV WEIGHT 0,279 kg/m

CODE
RS105-3CV WEIGHT 0,490 kg/m



CODE **RS175-1** WEIGHT 3,177 kg/m

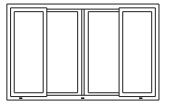
ST39*14	
Tickness (mm)	Weight (kg/m)
1.2	0.608
1.5	0.754
2.0	0.989

CODE **RS175-2** WEIGHT 2,016 kg/m

ST38*35	
Tickness (mm)	Weight (kg/m)
1.2	1.330
1.5	1.649
2.0	2.167

CODE **RA175-1** WEIGHT 0,215 kg/m

CODE **RA175-2** WEIGHT 0,268 kg/m



CODE **RA001** WEIGHT 0,108 kg/m

CODE **RA002** WEIGHT 0,245 kg/m

CODE **RA003** WEIGHT 0,129 kg/m

CODE **RA004** WEIGHT 0,270 kg/m

CODE **RA005** WEIGHT 0,255 kg/m

CODE **RA006** WEIGHT 1,090 kg/m

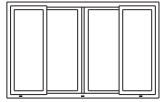
ST99*39	
Tickness (mm)	Weight (kg/m)
1.2	2.555
1.5	3.176
2.0	4.201

CODE **RA007** WEIGHT 1,080 kg/m

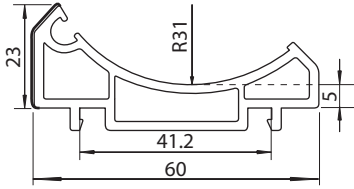
ST99*39	
Tickness (mm)	Weight (kg/m)
1.2	2.555
1.5	3.176
2.0	4.201

CODE **RA008** WEIGHT 0,550 kg/m

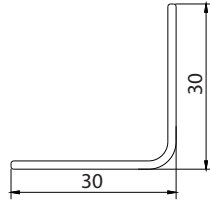
STØ48	
Tickness (mm)	Weight (kg/m)
1.2	1.385
1.5	1.720
2.0	2.269



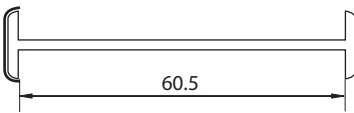
CODE
RA009 WEIGHT 0,688 kg/m



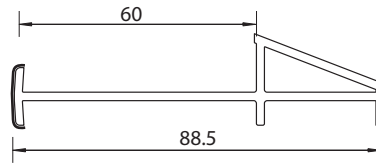
CODE
RA010 WEIGHT 0,638 kg/m



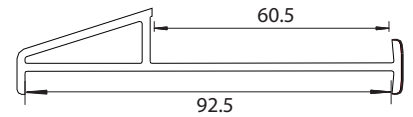
CODE
RA60-11 WEIGHT 0,245 kg/m



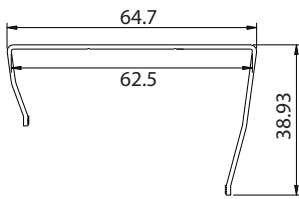
CODE
RA60-2 WEIGHT 0,433 kg/m



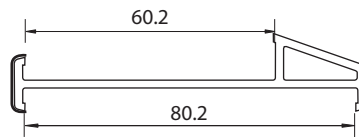
CODE
RA60-3 WEIGHT 0,484 kg/m



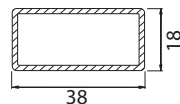
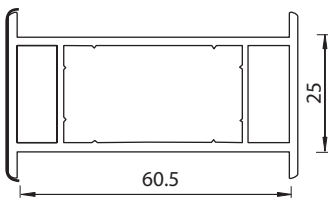
CODE
RA60-4 WEIGHT 0,204 kg/m



CODE
RA60-5 WEIGHT 0,400 kg/m

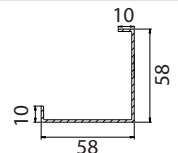
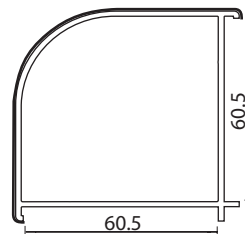


CODE
RA60-6 WEIGHT 0,665 kg/m



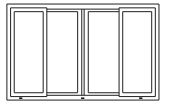
ST38*18	
Tickness (mm)	Weight (kg/m)
1.2	1.010
1.5	1.245
2.0	1.626

CODE
RA60-7 WEIGHT 0,770 kg/m



ST58*10	
Tickness (mm)	Weight (kg/m)
1.2	1.249
1.5	1.548
2.0	2.040





CODE
RA60-8

WEIGHT 0,700 kg/m

ST45*45	
Tickness (mm)	Weight (kg/m)
1.2	1.004
1.5	1.243
2.0	1.631

CODE
RA60-9

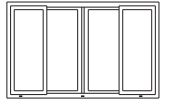
WEIGHT 0,915 kg/m

ST81*53	
Tickness (mm)	Weight (kg/m)
1.2	1.325
1.5	1.643
2.0	2.165

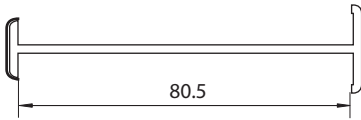
CODE
RA60-10

WEIGHT 0,825 kg/m

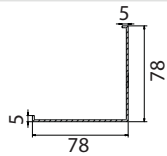
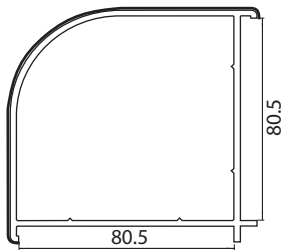
ST75*55	
Tickness (mm)	Weight (kg/m)
1.2	1.287
1.5	1.596
2.0	2.103



CODE
RA80-2 WEIGHT 0,334 kg/m

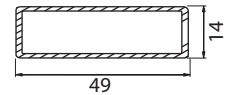
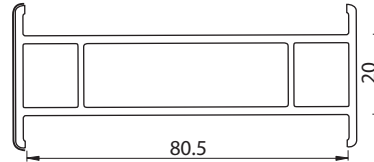


CODE
RA80-3 WEIGHT 0,987 kg/m



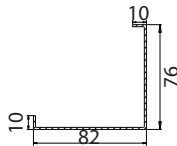
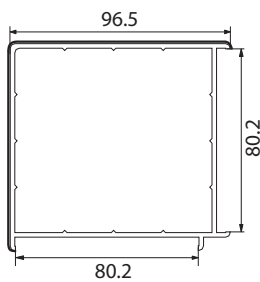
ST78*78	
Tickness (mm)	Weight (kg/m)
1.2	1.532
1.5	1.902
2.0	2.511

CODE
RA80-4 WEIGHT 0,775 kg/m



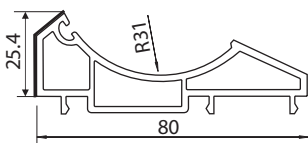
ST49*14	
Tickness (mm)	Weight (kg/m)
1.2	1.142
1.5	1.410
2.0	1.846

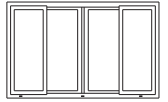
CODE
RA80-5 WEIGHT 1,170 kg/m



ST82*76	
Tickness (mm)	Weight (kg/m)
1.2	1.645
1.5	2.043
2.0	2.699

CODE
RA80-6 WEIGHT 0,708 kg/m





CODE **RA70-1** WEIGHT 1,030 kg/m

ST26*26	
Tickness (mm)	Weight (kg/m)
1.2	0.934
1.5	1.151
2.0	1.501

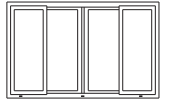
CODE **RA70-2** WEIGHT 0,820 kg/m

CODE **RA70-3** WEIGHT 1,870 kg/m

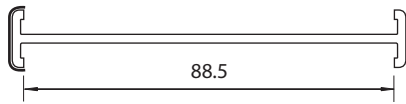
STΦ55	
Tickness (mm)	Weight (kg/m)
1.2	1.592
1.5	1.979
2.0	2.614

CODE **RA70-4** WEIGHT 1,604 kg/m

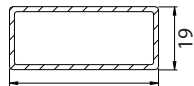
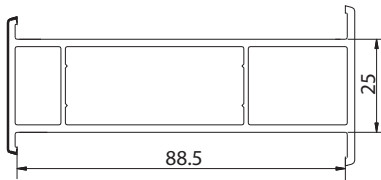
ST55*55	
Tickness (mm)	Weight (kg/m)
1.2	1.190
1.5	1.470
2.0	1.940



CODE
RA88-1 WEIGHT 0,342 kg/m

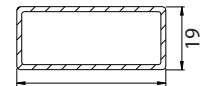
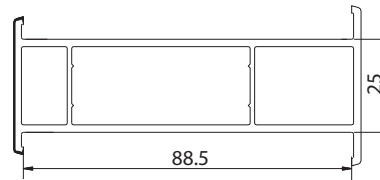


CODE
RA88-2 WEIGHT 0,816 kg/m



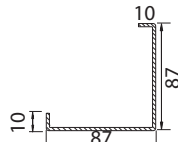
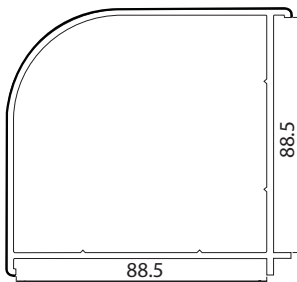
ST45*19	
Tickness (mm)	Weight (kg/m)
1.2	1.161
1.5	1.433
2.0	1.878

CODE
RA88-3 WEIGHT 0,830 kg/m



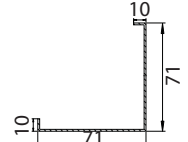
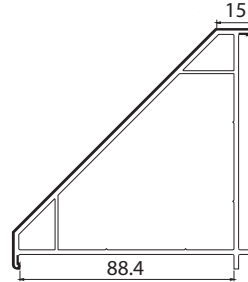
ST45*19	
Tickness (mm)	Weight (kg/m)
1.2	1.161
1.5	1.433
2.0	1.878

CODE
RA88-4 WEIGHT 1,096 kg/m

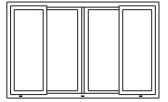


ST87*87	
Tickness (mm)	Weight (kg/m)
1.2	1.796
1.5	2.231
2.0	2.950

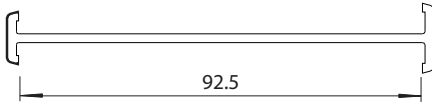
CODE
RA88-5 WEIGHT 1,096 kg/m



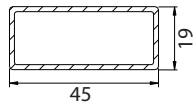
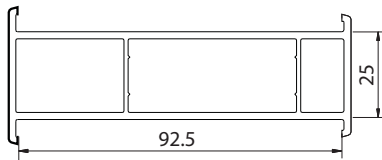
ST71*71	
Tickness (mm)	Weight (kg/m)
1.2	1.494
1.5	1.855
2.0	2.448



CODE
RA92-1 WEIGHT 0,346 kg/m

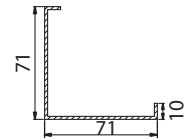
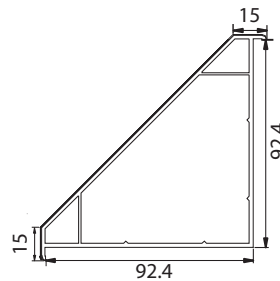


CODE
RA92-2 WEIGHT 0,867 kg/m



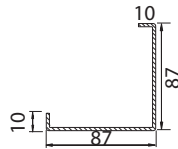
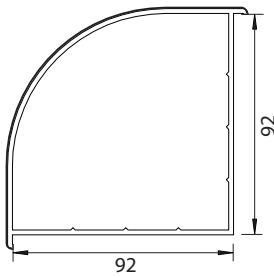
ST45*19	
Tickness (mm)	Weight (kg/m)
1.2	1.161
1.5	1.433
2.0	1.878

CODE
RA92-3 WEIGHT 1,107 kg/m

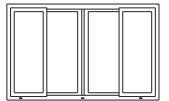


ST71*71	
Tickness (mm)	Weight (kg/m)
1.2	1.490
1.5	1.850
2.0	2.450

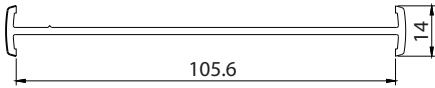
CODE
RA92-4 WEIGHT 1,059 kg/m



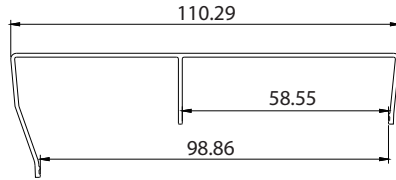
ST87*87	
Tickness (mm)	Weight (kg/m)
1.2	1.796
1.5	2.231
2.0	2.950



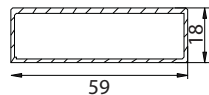
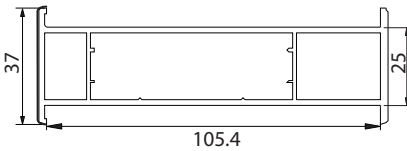
CODE
RA105-1 WEIGHT 0,432 kg/m



CODE
RA108-1 WEIGHT 0,296 kg/m

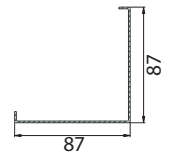
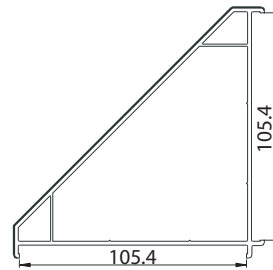


CODE
RA105-2 WEIGHT 0,942 kg/m



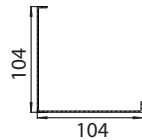
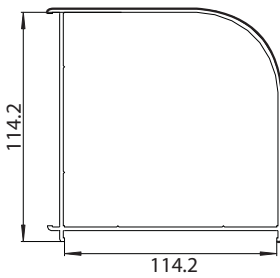
ST59*18	
Tickness (mm)	Weight (kg/m)
1.2	1.402
1.5	1.739
2.0	2.289

CODE
RA105-3 WEIGHT 1,309 kg/m



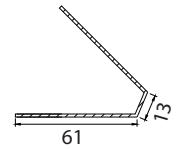
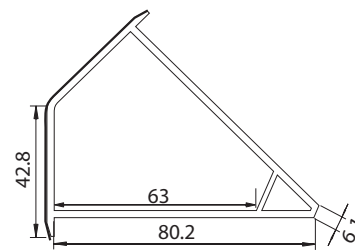
ST87*87	
Tickness (mm)	Weight (kg/m)
1.2	2.111
1.5	2.629
2.0	3.483

CODE
RA105-4 WEIGHT 1,339 kg/m



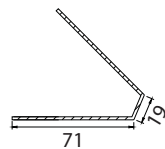
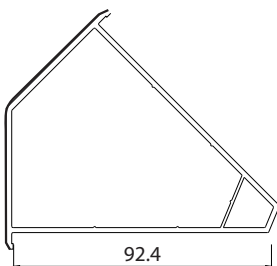
ST87*87	
Tickness (mm)	Weight (kg/m)
1.2	2.111
1.5	2.629
2.0	3.483

CODE
RA135-1 WEIGHT 0,770 kg/m



ST61*13	
Tickness (mm)	Weight (kg/m)
1.2	1.262
1.5	1.572
2.0	2.086

CODE
RA135-2 WEIGHT 0,960 kg/m



ST71*19	
Tickness (mm)	Weight (kg/m)
1.2	1.502
1.5	1.873
2.0	2.486





RETTO INDONESIA

PT KARUNIA PRATAMA DISTRIBUSI

Komplek Pergudangan Meiko Abadi I Blok C NO. 68-69
Sidoarjo – Jawa Timur
031 – 9903 8281 / 0813-3988-8811